

## PRODUCT PROFILE

# ElectroCell's Xcell-6000

3000 – 6000 Ton Applications

## *Hi-Tech Filtration System*



### Product Description

Fully automated side-stream filter designed to operate in Open Condenser Loops 3000 to 6000 ton applications.

Features:

- PLC with color touch screen
- Stainless Steel Construction
- Fully Automated
- Conductivity Meter
- Skid Mounted Modular Assembly
- Circulating Pump with VFD
- Make-up, Bleed and Evaporation Totalization
- Control of TSS and TDS
- PC Interface
- Local and Remote Monitoring and Control
- Alarms and Trending

### Typical Applications (Commercial / Industrial):

- Cooling Towers
- Process Water
- Process Liquids

.... And more

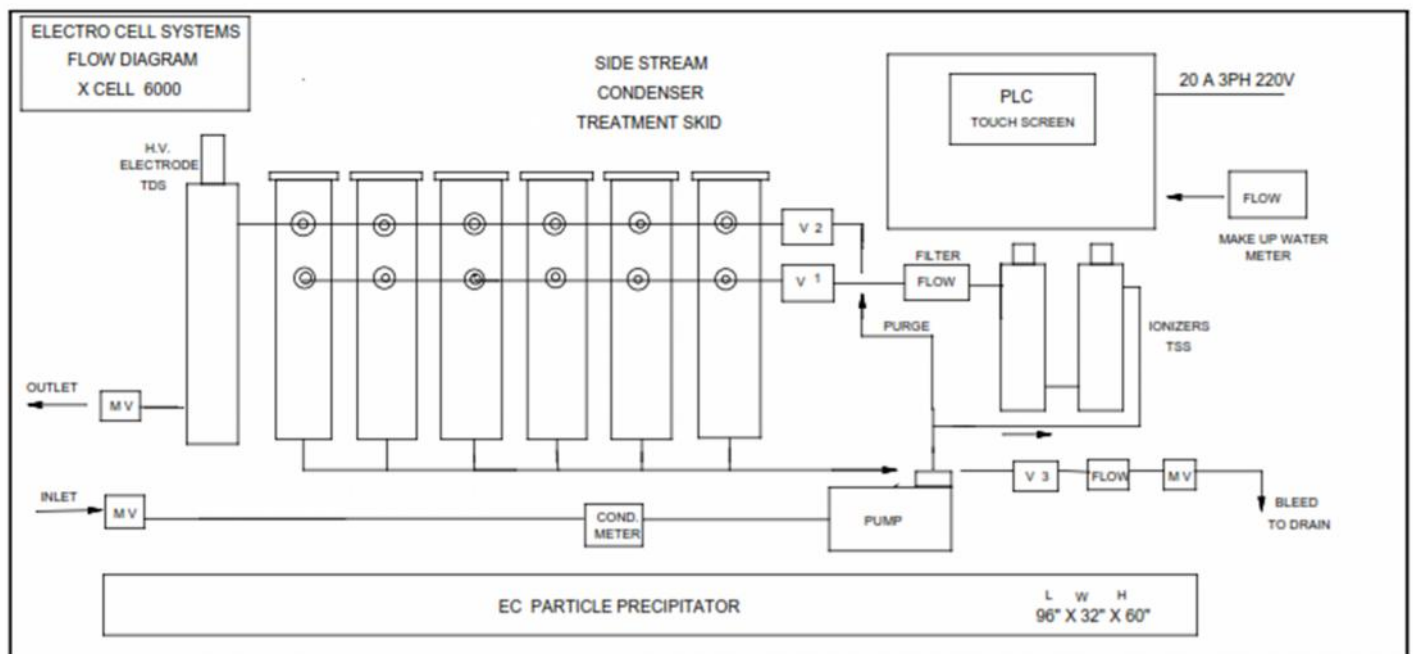
## PRODUCT PROFILE

# ElectroCell's Xcell-6000

## *Hi-Tech Filtration System*

*3000 – 6000 Ton Applications*

### Specifications / Physical Description



<b>Weight:</b>	1,000 lbs
<b>Footprint:</b>	120" L x 32" W x 60" H
<b>PSI (maximum):</b>	150 psi
<b>Electrical:</b>	3-Phase, 220V or 440V AC, 12.0 / 6.0 Amps
<b>Pump:</b>	5-hp circulating pump
<b>Piping:</b>	Inlet: 3" Outlet: 3" Discharge: 1"

## ElectroCell Systems

3320 Nazareth Road, Easton, PA 18045

Toll Free (800) 949-3445

E-mail: [info@electrocellsystems.com](mailto:info@electrocellsystems.com)

Web: [www.electrocellsystems.com](http://www.electrocellsystems.com)