

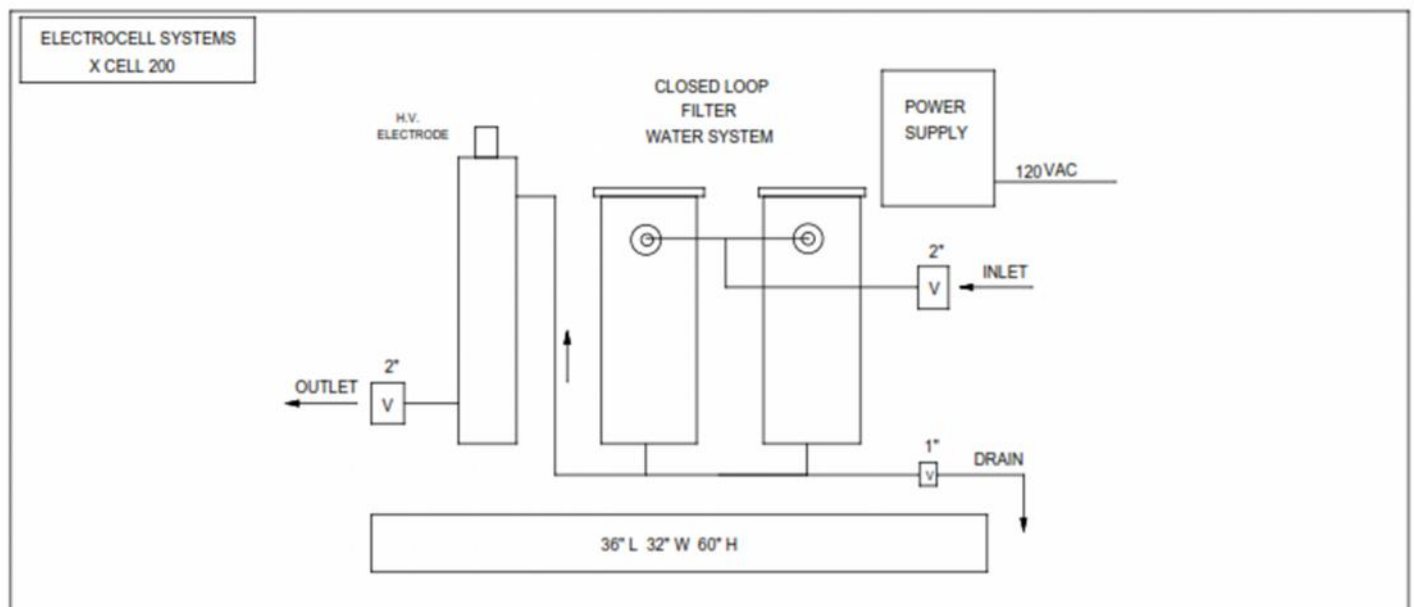
PRODUCT PROFILE

Xcell-200

ElectroCell Systems

Closed Loop Bag Filter

Self-contained side-stream closed loop bag filter with electrode
Chilled and Hot Water Closed Loops



Construction:	316 Stainless Steel Vessels		
Weight:	200 lbs		
Footprint:	36" L x 32" W x 60" H		
PSI (maximum):	150 psi		
Electrical:	120V AC		
Piping:	Inlet: 2"	Outlet: 2"	Discharge: 1"

ElectroCell Systems

3320 Nazareth Road, Easton, PA 18045

Toll Free (800) 949-3445

E-mail: info@electrocellsystems.com

Web: www.electrocellsystems.com